

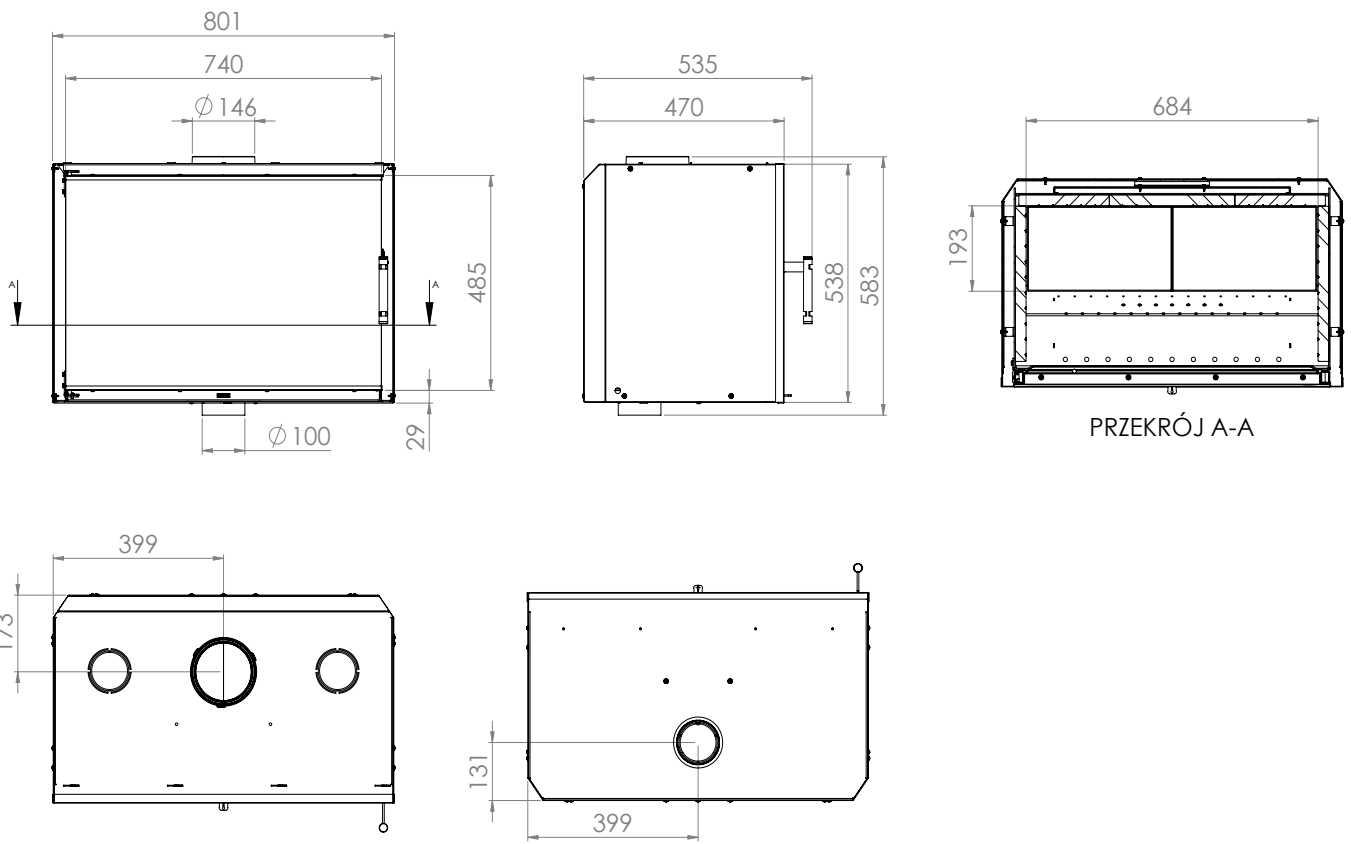
BASIC PRODUCT INFORMATION



- The exhaust outlet mounted from the inside of the combustion chamber fi 150 mm allows for installation in existing open fireplaces.
- Deepened fireplace means safety and the possibility of larger wood loads
- Automatic fan assembly ensures warm air circulation in the room (optional)
- Massive and durable combustion chamber made of Akuceram significantly affects the ecology of wood burning
- Air inlet fi 100 mm (mounted at the back or bottom) allows the cassette to be installed also in a house with heat recovery.
- Built-in possibility of connecting the cassette to a hot air distribution system (2 x fi 100 mm)
- The new air supply and circulation system is a comprehensive solution that guarantees ecological wood burning and a beautiful, clear vision of fire.
- New door design with minimalist, elegant Decor glass.
- Intuitive control over combustion with one throttle lever.
„This product cannot be used as a primary source of heating.”

Nominal power [kW]	9,5
Heating load range [kW]	4,5-12
Thermal efficiency [%]	88
CO emission (at 13% O2) [g/m3]	0,025
Dust emission [g/m3]	1,159
Average fuel consumption [kg/h]	2,4
Glass dimensions [mm]	740x481
Flue diameter [mm]	150
Inlet diameter [mm]	100
Weight [kg]	127
Efficiency coefficient	113,2





CUBO
800